

HCO-E6070R/E6020R, HCD-E6070R/E6020R

1080p Analog HD IR Camera



HCO-E6070R

HCO-E6020R



HCD-E6070R

HCD-E6020R

Key Features

- Full HD (1920 x 1080) resolution
- B/W : 0Lux (Auto IR LED on)@F1.4 (E6070R) / F2.1 (E6020R)
- 2.8 ~ 12mm (4.3x) varifocal lens (E6070R), Built-in 3.6mm (E6020R)
- Day & Night (ICR), DWDR, Motion detection
- IR viewable length 20m (E6070R)
- IP66 (HCO-E6070R/E6020R)
- Transmission distance max.500m (5C-2V)

| | HCO-E6070RN/E6020RN HCD-E6070RN/E6020RN | HCO-E6070RP/E6020RP HCD-E6070RP/E6020RP |
|----------------------------------|--|---|
| VIDEO | | |
| Imaging Device | 1/2.7" 2M CMOS | |
| Total Pixels | 1,952(H) x 1,092(V) | |
| Effective Pixels | 1,920(H) x 1,080(V) | |
| Scanning System | Progressive scan | |
| Min. Illumination | 0Lux (Auto IR LED on) | |
| S / N Ratio | 52dB (AGC off) | |
| Video Output | BNC (AHD, CVBS Selectable) AHD : 30fps@1080p CVBS : 30fps@928 x 480 | BNC (AHD, CVBS Selectable) AHD : 25fps@1080p CVBS : 25fps@928 x 576 |
| LENS | | |
| Focal Length (Zoom Ratio) | 2.8 ~ 12mm (4.3x) varifocal (E6070R), 3.6mm fixed (E6020R) | |
| Max. Aperture Ratio | F1.4 (E6070R), F2.1 (E6020R) | |
| Angular Field of View | H : 98.6° (Wide) ~ 36.8° (Tele) / V : 53.1° (Wide) ~ 20.9° (Tele) / D : 115.2° (Wide) ~ 40° (Tele) (E6070R) H : 88.9° / V : 46.3° / D : 104.6° (E6020R) | |
| Min. Object Distance | 0.5m (1.64ft) | |
| Focus Control | Manual (E6070R), Fixed (E6020R) | |
| OPERATIONAL | | |
| On Screen Display | English, French, German, Spanish, Italian, Russian, Turkish, Portuguese | |
| Camera Title | Off / On (Displayed 15 characters) | |
| Day & Night | Auto (ICR) | |
| Backlight Compensation | Off / BLC / HLC | |
| Wide Dynamic Range | DWDR | |
| Digital Noise Reduction | 2D/3D DNR | |
| Defog | Off / On | |
| Motion Detection | Off / On (4 zones) | |
| Privacy Masking | Off / On (4 zones) | |
| Gain Control | AGC | |
| White Balance | ATW / AWB / Outdoor / Indoor / Manual / AWC (1,800K° ~ 10,500K°) | |
| Electronic Shutter Speed | AUTO / FLK / 1/50,000sec ~ 1/30sec / 2x ~ 30x | AUTO / FLK / 1/50,000sec ~ 1/25sec / 2x ~ 30x |
| Reverse Protocol | Off / Mirror / V-Flip / Rotate ACP | |
| IR Distance | 20m (65.62ft) (E6070R), 10m (32.81ft) (E6020R) | |
| Video Transmission Distance | 300m (3C-2V), 500m (5C-2V) | |
| ENVIRONMENTAL | | |
| Operating Temperature / Humidity | -30°C ~ +55°C (-22°F ~ +131°F) / Less than 90% RH (HCO-E6070R/E6020R) -10°C ~ +55°C (+14°F ~ +131°F) / Less than 90% RH (HCD-E6070R/E6020R) | |
| Ingress Protection | IP66 (HCO-E6070R/E6020R) | |
| ELECTRICAL | | |
| Input Voltage / Current | 12V DC ±10% | |
| Power Consumption | Max. 5W (HCO-E6070R), Max. 3.8W (HCO-E6020R), Max. 3.8W (HCD-E6070R), Max. 4.4W (HCD-E6020R) | |
| MECHANICAL | | |
| Color / Material | White / Metal (HCO-E6070R/E6020R), White / Plastic (HCD-E6070R/E6020R) | |
| Dimensions (WxHxD) | 81.0 x 84.0 x 231.9mm (3.19" x 3.31" x 9.13") (HCO-E6070R) Ø69.3 x 140.0mm (Ø2.73" x 5.51") (HCO-E6020R) Ø145.0 x 115.0mm (Ø5.71" x 4.53") (HCD-E6070R) Ø100.0 x 89.6mm (Ø3.94" x 3.53") (HCD-E6020R) | |
| Weight | 600g (1.32 lb) (HCO-E6070R), 312g (0.69 lb) (HCO-E6020R) 372g (0.82 lb) (HCD-E6070R), 184g (0.41 lb) (HCD-E6020R) | |

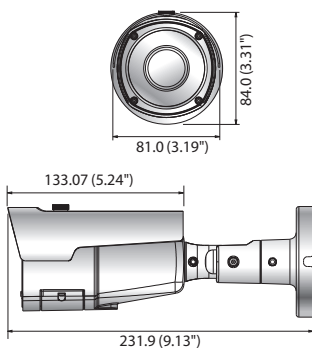
* The latest product information / specification can be found at hanwha-security.com

* Design and specifications are subject to change without notice.

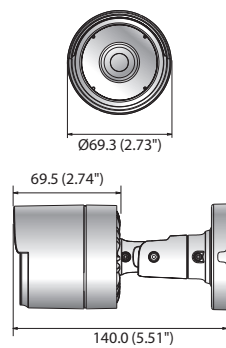
* Wisenet is the proprietary brand of Hanwha Techwin, formerly known as Samsung Techwin.

Dimensions

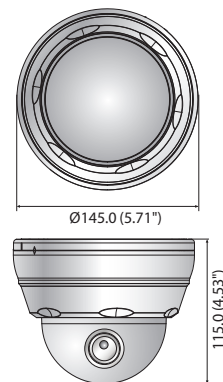
Unit : mm (inch)



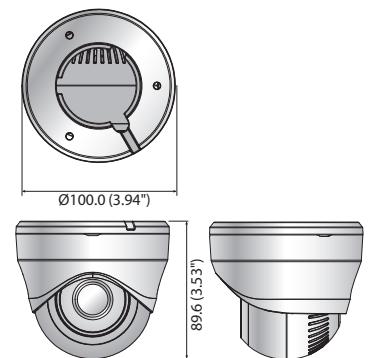
HCO-E6070R



HCO-E6020R



HCD-E6070R



HCD-E6020R

HRD-E1630LA/E830LA/E430LA

16CH/8CH/4CH1080p Analog HD DVR

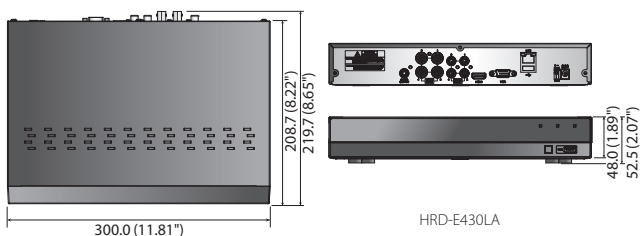
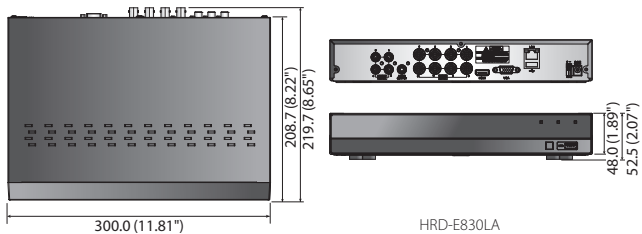
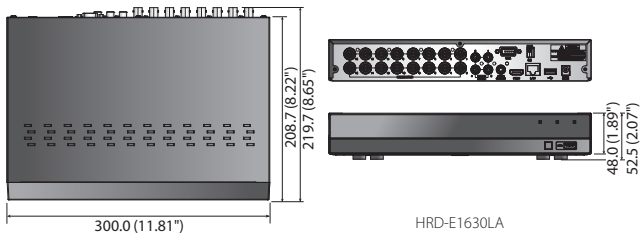


Key Features

- 16CH/8CH/4CH DVR
- Up to 240/120/60(1080p)fps recording rate (NTSC, PAL)
- HDMI / VGA video output
- 4CH audio inputs / 1CH audio output
- 1 internal HDD (Max. 6TB)
- Coaxial cable (ACP)
- Enhanced network bandwidth up to 64/32Mbps

Dimensions

Unit : mm (inch)



| | | HRD-E1630LA/E830LA/E430LA | |
|---------------------------|--|---|---|
| DISPLAY | | | |
| Video | Inputs System | 16CH BNC (HRD-E1630LA), 8CH BNC (HRD-E830LA), 4CH BNC (HRD-E430LA) | |
| | Resolution | AHD, NTSC / PAL 1920 x 1080 (Full HD), 1280 x 720 (HD), 960 x 480 (960H) | |
| Live | Frame Rate | (HRD-E1630LA) NTSC : 480fps@1920 x 1080, 480fps@1280 x 720, 480fps@960 x 480 PAL : 400fps@1920 x 1080, 400fps@1280 x 720, 400fps@960 x 576 (HRD-E830LA) NTSC : 240fps@1920 x 1080, 240fps@1280 x 720, 240fps@960 x 480 PAL : 200fps@1920 x 1080, 200fps@1280 x 720, 200fps@960 x 576 (HRD-E430LA) | |
| | | Resolution | 1080p, 720p, 960H |
| | Multi Screen Display | 1 / 4 / 9 / 16 / Sequence (HRD-E1630LA) 1 / 4 / 8 / Sequence (HRD-E830LA), 1 / 4 / Sequence (HRD-E430LA) | |
| PERFORMANCE | | | |
| Operating System | Embedded | Linux | |
| | Installation Wizard | Support | |
| | Compression | H.264 | |
| Recording | Record Rate | HRD-E1630LA: 2M Input: Up to 240fps@1,920x1,080, 1280x720, WD1 (NTSC/PAL) 1M Input: Up to 480fps@1,280x720, WD1 (NTSC/PAL), 960H Input: Up to 480fps@960x480 (NTSC), Up to 400fps@960x576 (PAL) HRD-E830LA: 2M Input: Up to 120fps@1,920x1,080, 1280x720, WD1 (NTSC/PAL) 1M Input: Up to 240fps@1,280x720, WD1 (NTSC/PAL), 960H Input: Up to 240fps@960x480 (NTSC), Up to 200fps@960x576 (PAL) HRD-E430LA: 2M Input: Up to 60fps@1,920x1,080, 1280x720, WD1 (NTSC/PAL) 1M Input: Up to 120fps@1,280x720, WD1 (NTSC/PAL) 960H Input: Up to 120fps@960x480 (NTSC), Up to 100fps@960x576 (PAL) | |
| | | Mode | Manual, Schedule (Continuous / Event), Event (Pre / Post) |
| | | Event | Video loss, Motion (Sensitivity level 1 ~ 8) |
| | Overwrite Modes | Off / On (Auto / 1 / 3 / 7 / 14 / 30 / 90days) | |
| | Pre-alarm | Min. 1sec | |
| | Post-alarm | Up to 5min (30sec, 1 / 2 / 5min) | |
| Search & Playback | Search Mode | Date/Time, Event, Motion | |
| | Playback Function | Fast forward / backward (2x, 4x, 8x, 16x) Slow forward (1/2x, 1/4x, 1/8x, 1/16x) Step forward (CMS support) (Applicable for local DVR only) | |
| Network (IPv4) | Synchronous | 16CH (HRD-E1630LA), 8CH (HRD-E830LA), 4CH (HRD-E430LA) | |
| | Transmission Speed | Max. 240fps@1080p (HRD-E1630LA), Max. 120fps@1080p (HRD-E830LA) Max. 60fps@1080p (HRD-E430LA) | |
| | Bandwidth | Up to 64Mbps (HRD-E1630LA), Up to 32Mbps (HRD-E830LA), Up to 16Mbps (HRD-E430LA) | |
| | Live Stream | Max. 240fps@1080p (HRD-E1630LA), Max. 120fps@1080p (HRD-E830LA), Max. 60fps@1080p (HRD-E430LA) | |
| | Max. Remote Users | 20 (Max. bandwidth : 64M:HRD-E1630LA, 32M:HRD-E830LA/E430LA) | |
| | Protocol Support | TCP/IP, UDP/IP, RTP(UDP), RTP(TCP), RTSP, NTP, HTTP, DHCP(Client), PPPoE, SMTP, DNS, DDNS, uPnP * Support Hanwha DDNS | |
| | Monitoring | Webviewer, Mobile Viewer, CMS (HD E-Viewer) | |
| Remote Monitoring | Platform | Supported OS - PC : Windows® Vista, Windows® 7, Windows® 10 - Mac OS X® 10.12.2 or above - Mobile : Android Ver4.4 or above, iOS®8.0 or above Supported Browser - Microsoft Internet Explorer (Ver. 11, 10, 9, 8), - Mozilla Firefox Ver 51.x or lower, Google Chrome Ver 44.x or lower, - Safari®10.10 or above | |
| | Protocol Support | TCP/IP, UDP/IP, UDP | |
| | Transmission Speed | Max.30fps@CIF, 4CIF, 720p, 1080p (per Channel) | |
| | Max. Remote Users | 20 (Max. 64M : HRD-E1630LA, 32M : HRD-E830LA/E430LA) | |
| | Easy Connection | P2P(QR Code) *At mobile viewer | |
| Storage | Internal HDD | 1 SATA HDD *Support max. 6T | |
| | External (e-SATA Interface) | 2 USB ports | |
| | File Format (Backup) | H.264, AVI, MP4 | |
| | Password Protection | 1 Admin, 6 User | |
| SECURITY INTERFACE | | | |
| Monitors | VGA | 1 VGA (1024 x 768, 1280 x 1,024, 1280 x 720, 1440 x 900, 1920 x 1080) | |
| | HDMI | 1 HDMI (1024 x 768, 1280 x 1,024, 1280 x 720, 1440 x 900, 1920 x 1080) | |
| | Simultaneous Output | VGA and HDMI | |
| Audio | Inputs / Output | 4CH RCA in / 1CH RCA out | |
| | Compression | G.711, 8KHz | |
| Alarm | Remote Notification | Notification via e-mail | |
| | Ethernet | E1630LA: 1 RJ45 10/100/1000 Base-T, E830LA/E430LA: 1 RJ45 10/100 Base-T | |
| Connections | USB | USB 2.0, 2 ports (Front / Rear) | |
| | Serial | RS-485 | |
| | Application Support | Mouse, Remote controller | |
| | RS-485 Protocol | Pelco-D/P | |
| | Coax Protocol | ACP (UTC) | |
| GENERAL | | | |
| Electrical | Input Voltage / Current | 12V DC / 2A adaptor | |
| | Power Consumption | Max. 15.5W (HRD-E1630LA), Max. 9.5W (HRD-E830LA), Max. 7W (HRD-E430LA) (HDD not included) | |
| Environmental | Operating Temperature | +0°C ~ +40°C (+32°F ~ +104°F) | |
| | Operating Humidity | 20% ~ 85% RH | |
| Mechanical | Dimensions (WxHxD) | 300.0 x 48.0 x 208.7mm (11.81" x 1.89" x 8.22") | |
| | Weight (With hard disks) | 1.16Kg (2.56 lb) (HRD-E1630LA), 1.02Kg (2.25 lb) (HRD-E830LA), 1.0Kg (2.25 lb) (HRD-E430LA) | |
| Language | English, French, German, Spanish, Italian, Russian, Turkish, Portuguese, Hebrew (For Korean model : Korean only) | | |

* The latest product information / specification can be found at hanwha-security.com

* Design and specifications are subject to change without notice.

* Wisenet is the proprietary brand of Hanwha Techwin, formerly known as Samsung Techwin.